

**Weyn-Lauwers** N.V.

Industriepark-Noord 12  
B - 9100 SINT-NIKLAAS

Tel. : 00 32 (0)3 776.34.13  
Fax : 00 32 (0)3 778.09.52  
weynlauwers@weynlauwers.be  
www.weynlauwers.be

**BALL VALVE**  
**BSP - FULL BORE**  
**3-pc carbon steel**  
**FIG 167T**

**DESIGN FEATURES**

- 3-PC ball valve 1/4"-3"
- threaded BSP
- min. temp : -20°C
- max. temp : +180°C
- specifications : anti-blow out stem  
Locking device  
Full bore
- stem extension (option)

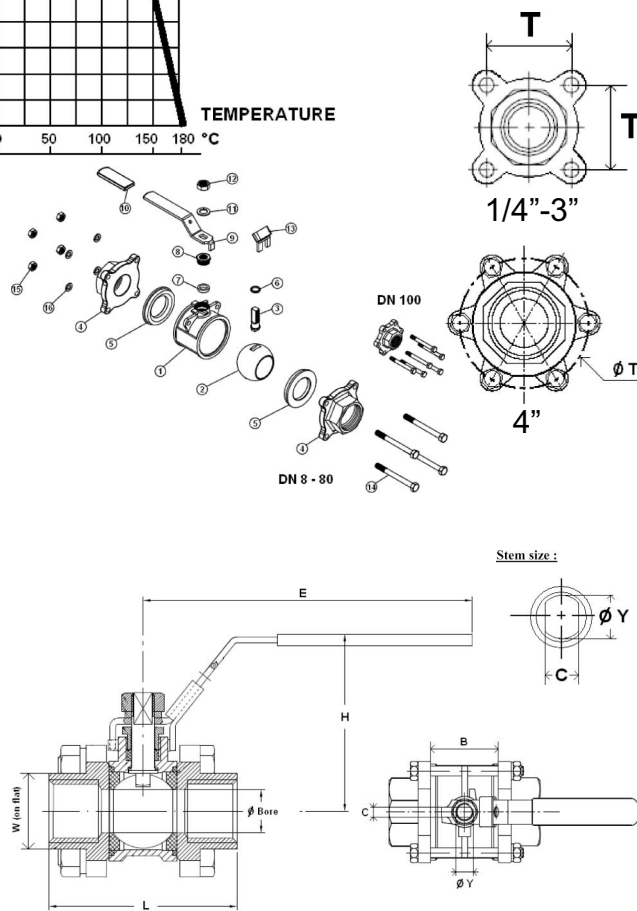
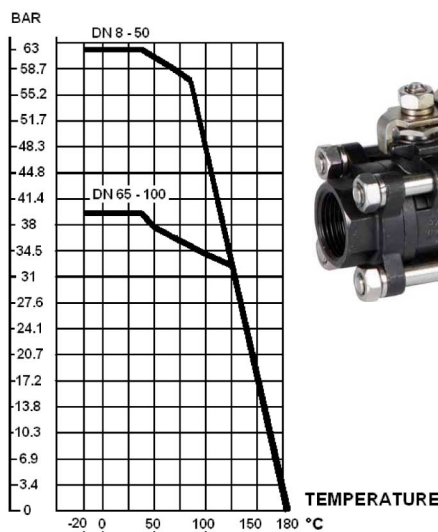
**USE**

- for all common fluids

**MATERIALS**

item	Part name	Material
1	body	ASTM A216 WCB
2	ball	SS 304
3	stem	SS 304
4	ends	ASTM A216 WCB
5	seat	PTFE filled with 15 % glass
6	trust washer	PTFE
7	packing	PTFE
8	packing nut	SS 304
9	handle	SS 304
10	handle cover	Plastic
11	handle washer	SS 304
12	handle nut	SS 304
13	locking device	SS 304
14	bolt	SS 201
15	bolt nut	SS 304
16	bolt washer	SS 304

**PRESSURE**



**SIZE (in mm)**

DN	1/4"	3/8"	1/2"	3/4"	1"	1 1/4"	1 1/2"	2"	2 1/2"	3"	4"
bore	9,2	12,8	15	20	25	32	38	50	65	80	100
L	60	60	63	70	82	96	107	124	164,6	182,7	218
B	22	22	23,3	28	34	43	49	62,4	88,1	100,2	119
E	108	108	113	113	135	135	160	160	230	230	335
H	52	52	63	68	79	88	97	108	128	140	172
Y	8	8	8	8	10	10	12	12	14	14	20
C	5	5	5	5	6,5	6,5	8,5	8,5	9,8	9,8	16
T	27,2	27,2	31,8	40	45	53	63,3	78,8	98,3	116,6	200
W	18	22	26	33	40	48	55	67	84,5	101	127
kg	0,33	0,34	0,49	0,64	0,96	1,37	2,20	3,75	6,85	10,2	20,5
ref.	167T02	167T03	167T04	167T05	167T06	167T07	167T08	167T09	167T10	167T11	167T12